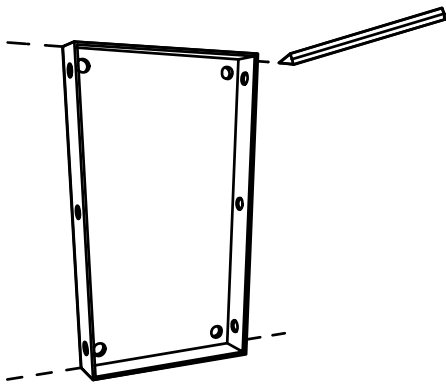
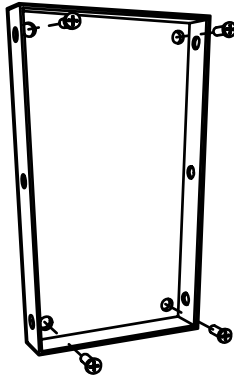


How to Install:



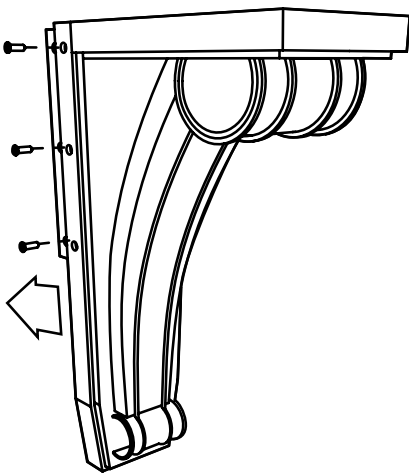
Step 1:

Determine the location you wish to install. Hold the plate against the wall, and mark the holes with a pencil. If the corbel is going to be used for countertop support or to display a heavy item, make sure the plate is secured to a stud.



Step 2:

Drill pilot holes into the marks on the wall and attach the plate with the four provided screws. If you plan on installing the corbel into drywall, you will need to purchase drywall anchors and screws.



Step 3:

Snap the decorative face of the corbel onto the plate. Screw the remaining six screws into the side of the corbel to secure it into place.

NOTE: The screws provided are for mounting to a solid surface, if mounting to other surfaces (i.e. drywall) you will need to purchase additional hardware, longer screws for studs or drywall anchors.